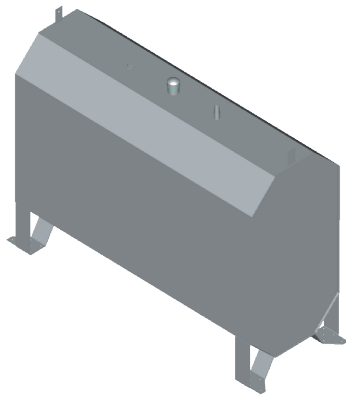




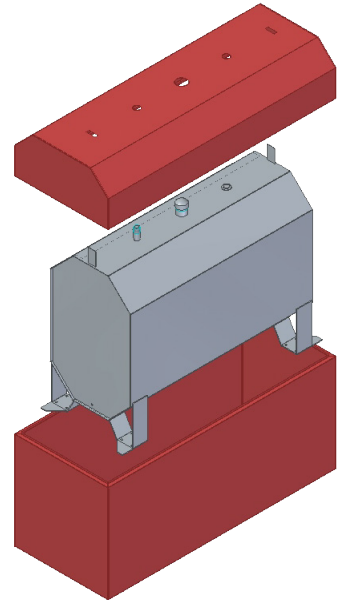
# Diesel Tanks

480 Litre or 980 Litre

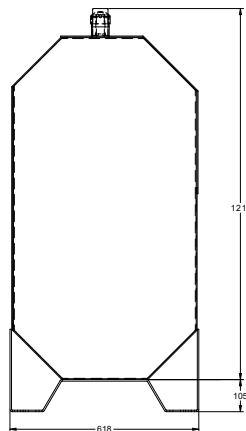
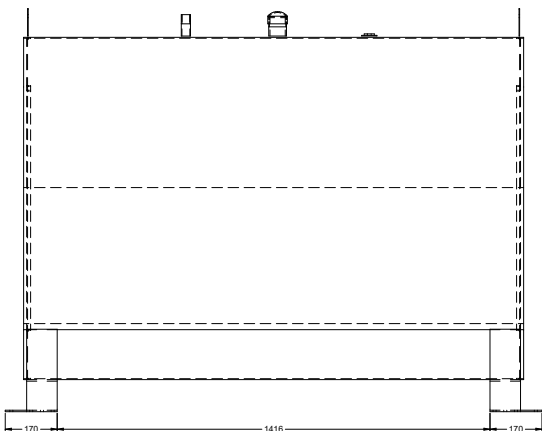
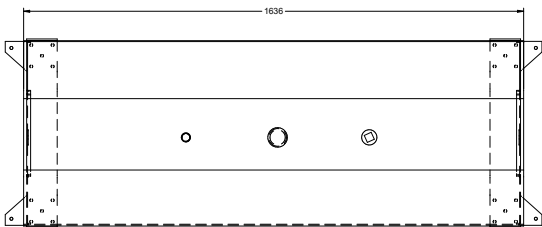
Designed for domestic use – with an attractive finish



Zinc-shield Painted tank



Fully enclosed bund



Complies with AS 1692

## Tank sizes

Volume	Tank Height	Tank Width	Tank Length
480 L	1026 mm	548 mm	1340 mm
980 L	1319 mm	618 mm	1756 mm

## Leg extensions

500mm	600mm	750mm	900mm	custom
-------	-------	-------	-------	--------

## Bund sizes

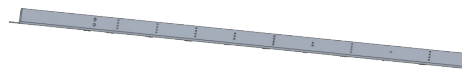
Volume	Bund Height (covered)	Bund Width	Bund Length
480 L	1026 mm	548 mm	1340 mm
980 L	1319 mm	618 mm	1756 mm

## Features

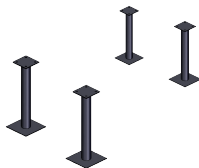
- 60mm Filler with Breather  
15mm outlet
- Seismic restraint points
- Steel tank powdercoated with zinc rich, dark grey finish
- Fully covered bund supplied in galvanised finish

## Options

Level measuring Dipstick



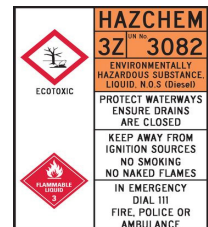
Leg Extensions



Lockable Filler Cap



Hazard Decal



Enclosed bund can be supplied in custom colour

