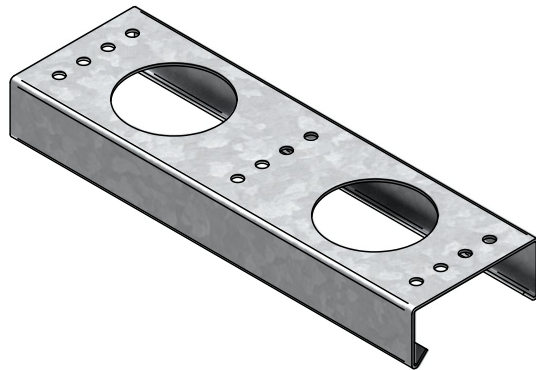
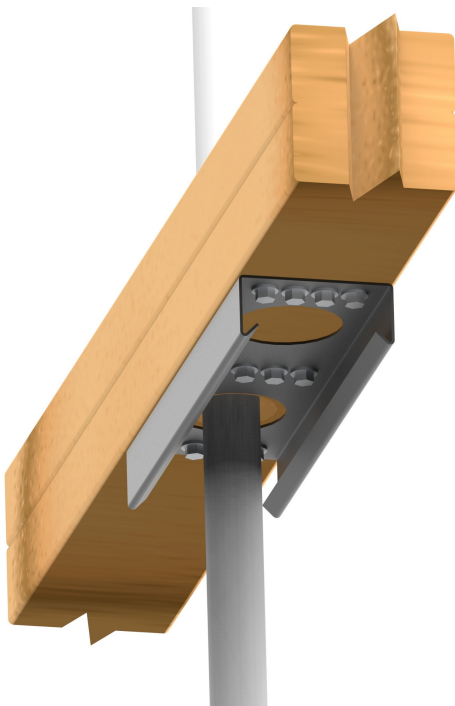


Top Plate Stiffener

FJACTPS270170



Steel Reinforcement Plate for timber framing allowing services to pass through.



Top Plate position
shown with packer



Wall Stud position

Stiffens a Top Plate or Stud for penetrations of up to Ø55mm in compliance with NZS3604:2001

Criteria of use

Reinforcement is required for service holes larger than $\text{Ø}25\text{mm}$ and less than $\text{Ø}60\text{mm}$.

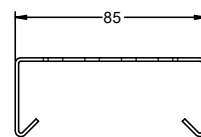
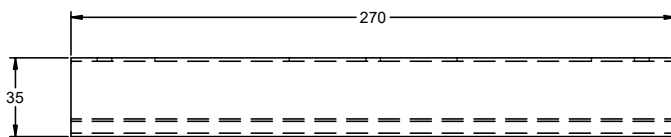
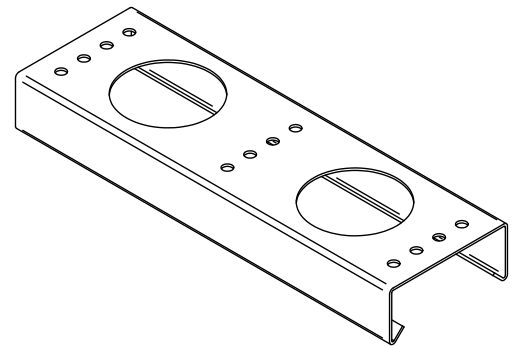
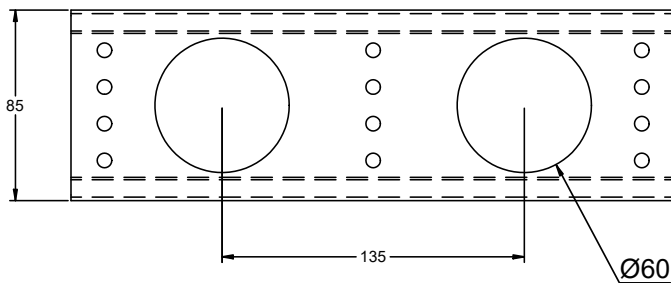
Ensure service hole is no closer than 50mm from a dwang or stud.

Fasten in place with a minimum of ten 14-10 x 35 Hex Head Type 17 Screws for single timber.

Fasten in place with a minimum of ten 14-10 x 75 Hex Head Type 17 Screws for double timber.

This 85mm wide stiffener fits inside 90mm general framing timber.

Standard bracket accommodates two holes spaced 135mm apart.



1.55mm G300 Z275 Steel

Another item from the range of JSM Building & Construction Components